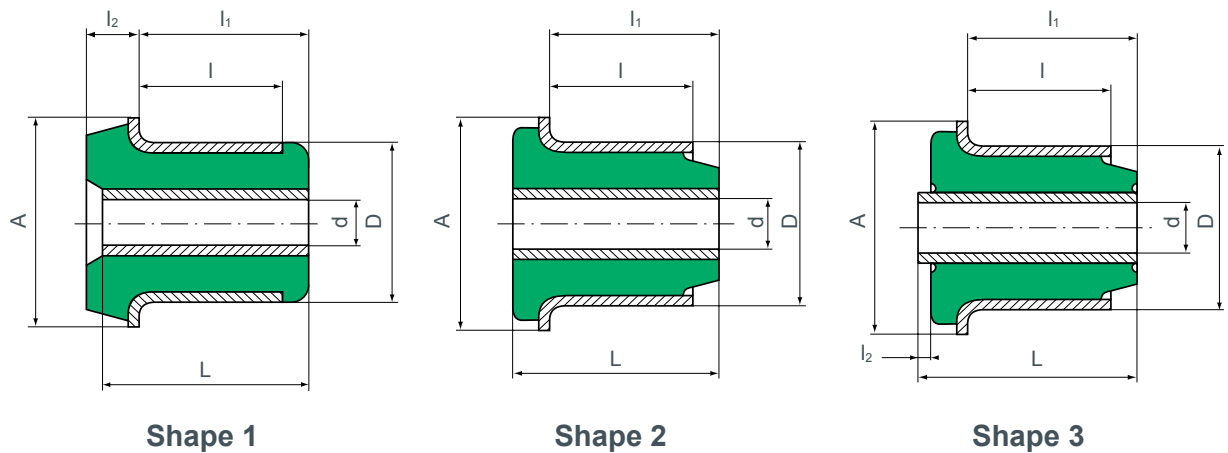


# FLANGED BUSHES



## FLANBLOC®

d (mm)	D (mm)	A (mm)	L (mm)	l (mm)	l <sub>1</sub> (mm)	l <sub>2</sub> (mm)	Maximum Radial Load		Dynamic axial load (daN)	Torsion		Shape	Ref.
							Static (daN)	Dynamic (daN)		Max angle	Approx. torque N.m.		
16	32	47	62	48	56,5	-	250	Overload coefficient : 3	430	30°	45	2	866016
-	32	47	89	48	83,5	-	250		430	30°	45	2	866012
-	36	46	41	28,8	34,7	9,5	60		56	30°	90	1	867001

1 kg ≈ 1 daN

## SPECIAL S.C.

d (mm)	D (mm)	A (mm)	L (mm)	l (mm)	l <sub>1</sub> (mm)	l <sub>2</sub> (mm)	Maximum Radial Load		Dynamic axial load (daN)	Torsion		Shape	Ref.
							Static (daN)	Dynamic (daN)		Max angle	Approx. torque N.m.		
12	32	43	50	34	40	3	50	Overload coefficient : 3	160	35°	16	3	531300
16	40	50	50	32	40	-	150		120	20°	-	2	531411
-	40	51	83	52	76	1	200		-	20°	-	3	531417

1 kg ≈ 1 daN